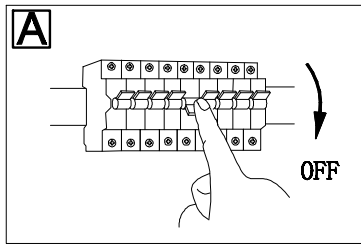


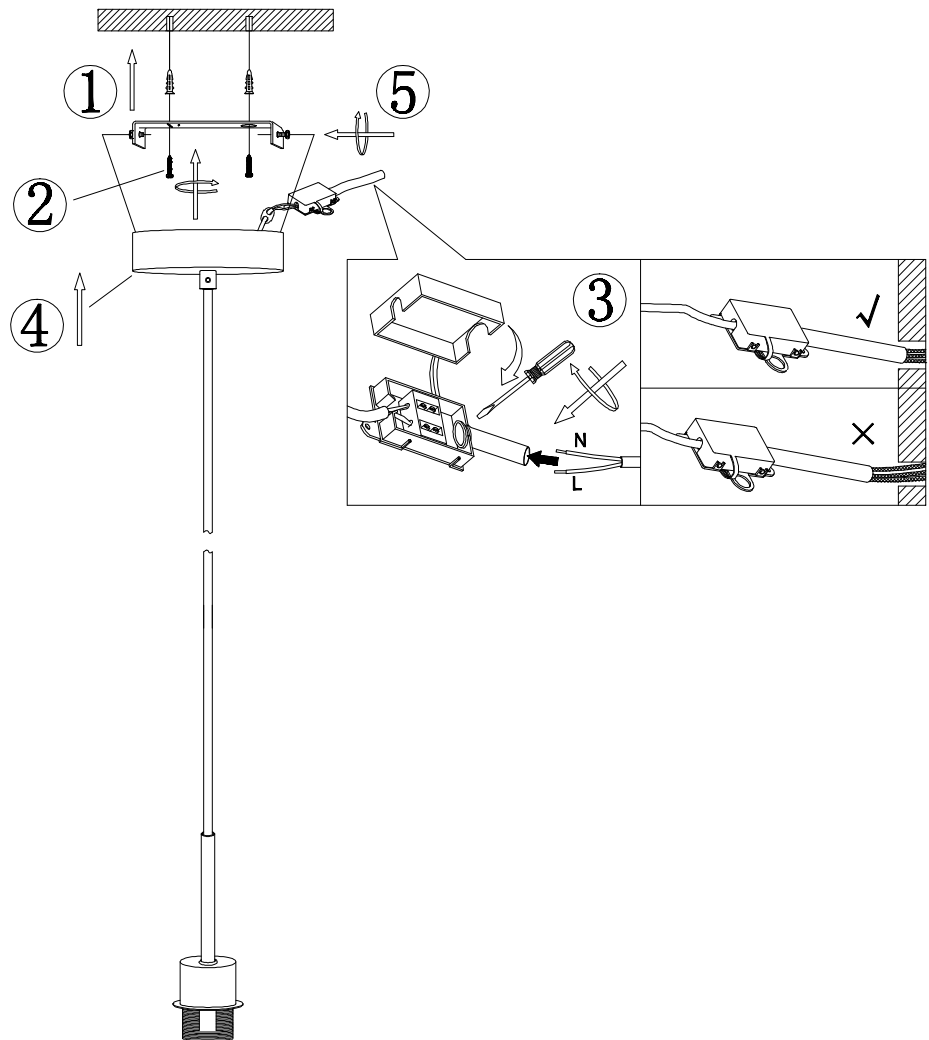
# GLOBO

LIGHTING

[www.globo-lighting.com](http://www.globo-lighting.com)



**B**



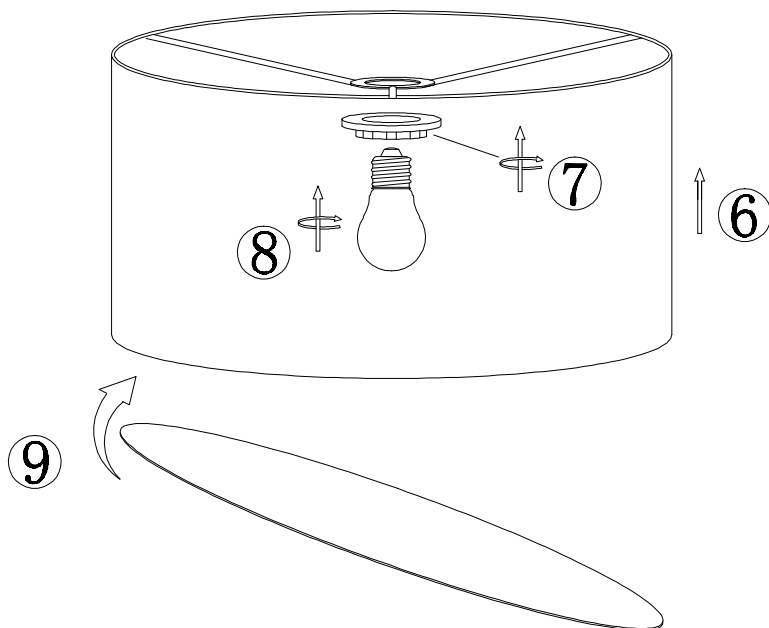
15185H

15186H

15187H

15188H

15189H



GLOBO Handels GmbH  
St. Peter 38  
A-9184 St. Jakob / Rosental

